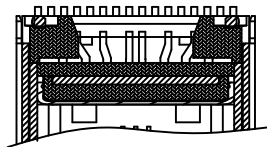
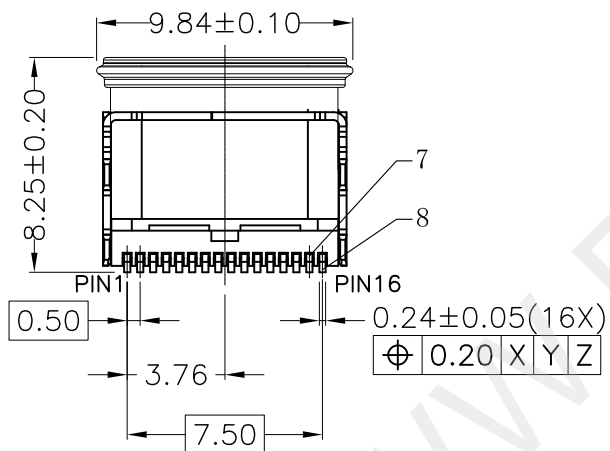
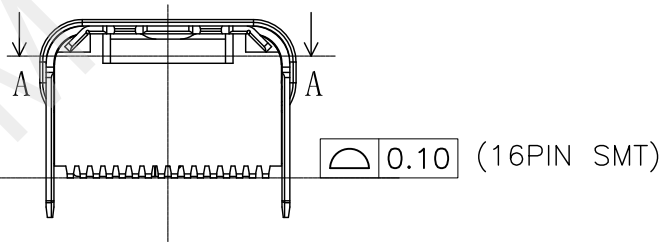
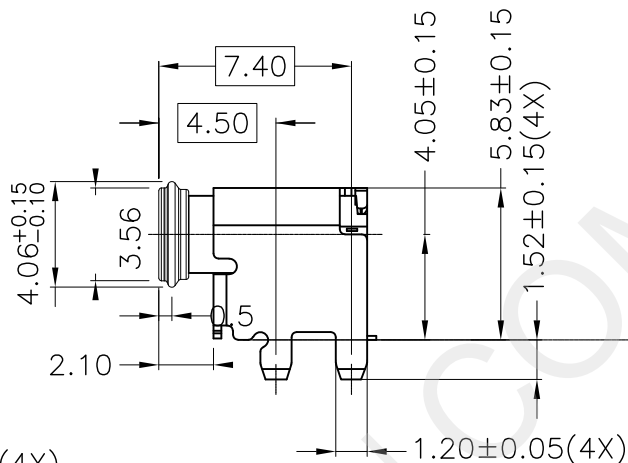
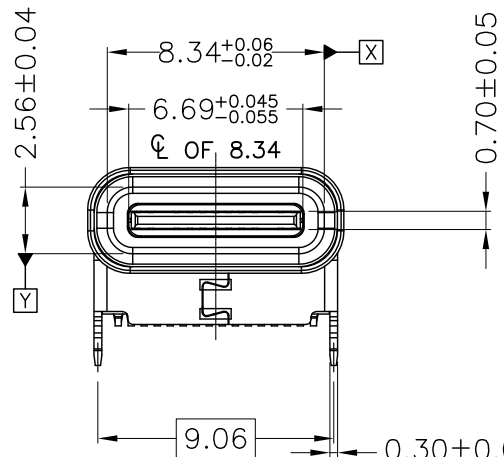
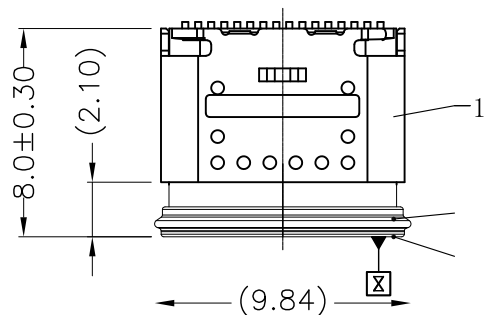
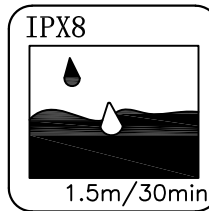


点胶槽位置示意(红色区域)



SEC:A-A



⑧	1	下端子	铜合金C7025 TM03	镀金3U"
⑦	1	上端子	铜合金C7025 TM03	镀金3U"
⑥	1	I/M	PA46	黑色
⑤	1	中隔片	不锈钢SUS301	水洗
④	1	EMI	不锈钢SUS304	电镀镍30U"
③	1	内铁壳	不锈钢SUS316	水洗
②	1	密封圈	液态硅胶成型	黑色 NJSILTMNJ-1005-50A/B
①	1	外铁壳	不锈钢304	镀镍50U"
⑨	1	胶水	黑色环氧胶	HJ8236
序号	数量	零件名称	材料	镀层



深圳市华宇创精密电子有限公司

TOLERANCE:  
X.X ±0.30  
X.XX ±0.25  
X.XXX ±0.15  
X' ±2' X.X' ±0.5'

UNIT: mm [inch]

SCALE:1:1 SIZE: A4

DRAWN BY :  
陈一鸣

CHECKED BY:  
马跃

APPROVED BY:  
邱敏

DATE :  
2014-02-23

DATE :  
2014-02-23

DATE :  
2014-02-23

PART NAME:

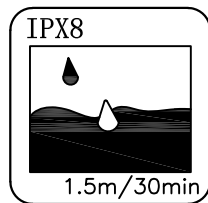
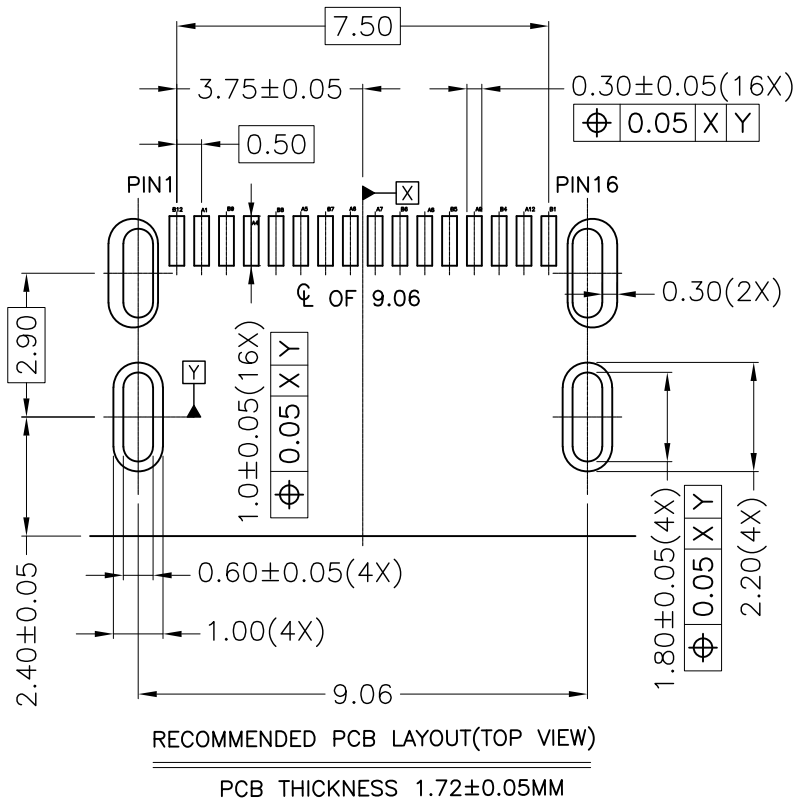
USB TYPE C 防水母座16P 板上垫高04.05mm 带防水胶圈

PART NO. HYC602-USBC16-405

MOLD NO.

DRAW NO: HYC-2411291606

SHEET NO. 1 OF 1



Notes:

1. ELECTRICAL characteristics:

1-1. Dielectric withstance:500V AC/1minute.

1-2. Current rating:

Vbus and GND contact:≥1.25A/pin, Paralleled for a total of 5A In

Other contacts:≥0.25A/pin

1-3. Initial LLCR 40mΩ max, after test Δ10mΩ max:

40mΩ MAX. FOR VBUS, GND AND OTHE CONTACTS,

50mΩ MAX. FINAL AFTER TEST.

1-4. Insulation Resistance:1000MΩ Min

2: Mechanical characteristics

2-1 Insert force:5~20N MAX.

Withdraw force:8~20N, after test:6~20N

2-2 Durability:10000 cycles min

2-3 Laser point:Height<0.05mm, Pulling force>50N

3: Envirmention characteristics

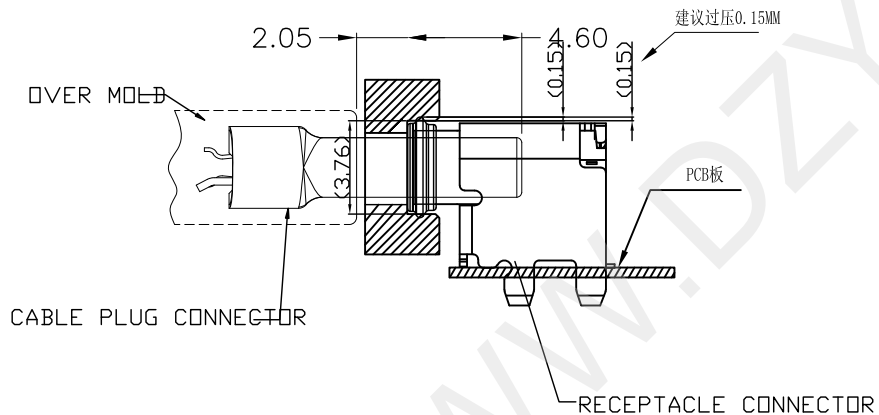
3-1 Opreating temperature:-40~+85°C

3-2 Salty spray:48hours(EIA-364-26B-B)

4. Burr:0.05MM MAX.

5. Tape and reel packing satisfy EIA-364-481 standard

Pin	Signal	Description	Mating Sequence	Description	Signal	Pin
2	A1	GND	First	Ground return	GND	B12
/	A2	TX1+	Second	/	RX1+	B11
/	A3	TX1-	Second	/	RX1-	B10
4	A4	VBUS	First	Bus Power	VBUS	B9
6	A5	CC1	Second	Configuration Channel	SBU2	B8
8	A6	D <sup>+</sup>	Second	Positive half of the USB 2.0 differential pair-Position 1	D-	B7
9	A7	D <sup>-</sup>	Second	Negative half of the USB 2.0 differential pair-Position 1	D+	B6
11	A8	SBU1	Second	Sideband Use(SBU)	CC2	B5
13	A9	VBUS	First	Bus Power	VBUS	B4
/	A10	RX2-	Second	/	TX2-	B3
/	A11	RX2+	Second	/	TX2+	B2
15	A12	GND	First	Ground return	GND	B1



深圳市华宇创精密电子有限公司

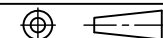
TOLERANCE:

X.X ±0.30

X.XX ±0.25

X.XXX ±0.15

X' ±2' X.X' ±0.5'



UNIT: mm [inch]

SCALE:1:1 SIZE: A4

DRAWN BY :

陈一鸣

DATE :

2014-02-23

PART NAME:

USB TYPE C 防水母座16P 板上垫高0.4.05mm 带防水胶圈

CHECKED BY:

马跃

DATE :

2014-02-23

PART NO.

HYC602-USBC16-405

APPROVED BY:

邱敏

DATE :

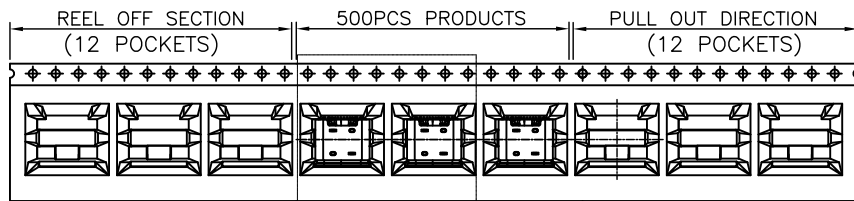
2014-02-23

DRAW NO:

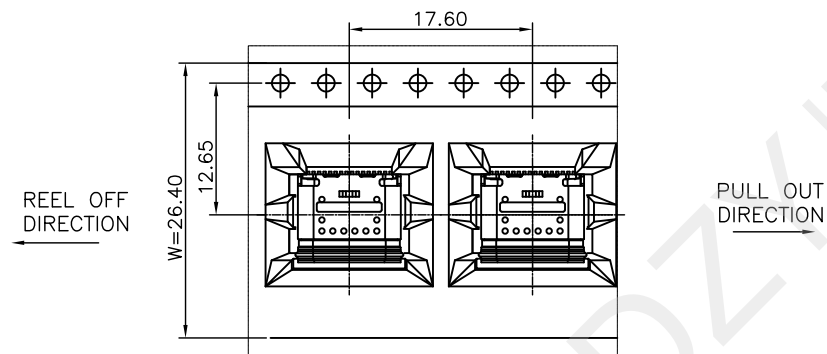
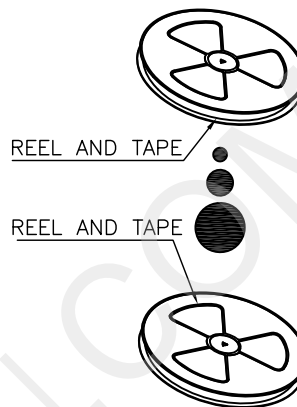
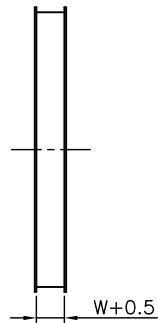
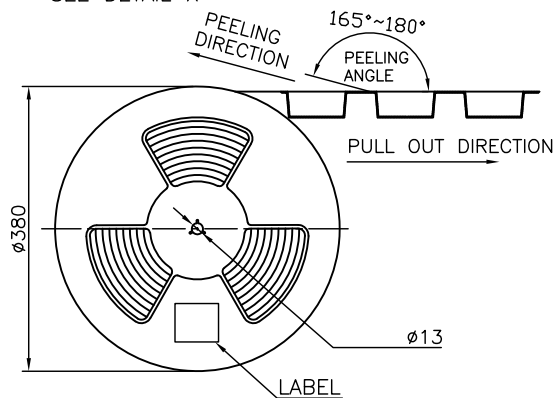
HYC-2411291606

SHEET NO.

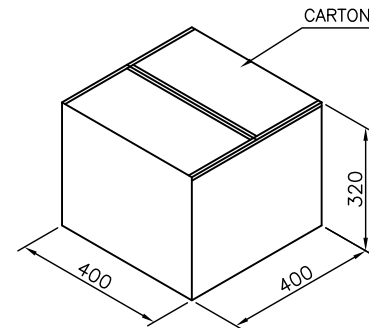
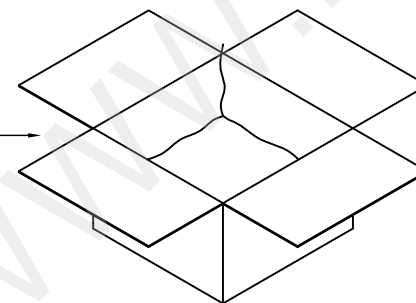
1 OF 1



SEE DETAIL X



DETAIL X  
SCALE 2:1



	REEL	CARTON
CONNECTOR (PCS)	500	5500

每盘真空包装



深圳市华宇创精密电子有限公司

TOLERANCE: X.X ±0.30 X.XX ±0.25 X.XXX ±0.15 X' ±2' X.X' ±0.5'	DRAWN BY : 陈一鸣	DATE : 2014-02-23	PART NAME: 包装图	
	CHECKED BY: 马跃	DATE : 2014-02-23	PART NO.	
UNIT: mm [inch] SCALE:1:1 SIZE: A4	APPROVED BY: 邱敏	DATE : 2014-02-23	MOLD NO.	
			DRAW NO:	
			SHEET NO.	1 OF 1